



# T 1400

## SEMI-FULLHEIGHT TURNSTILE

High Security

Suitable for Intensive Passages

Longlived

Robust Mechanism

Reliable

Anti-Vandal

Indoor & Outdoor Conditions

Spare Parts Support

## T 1400

### SEMI-FULLHEIGHT TURNSTILE

T 1400 Semi-fullheight turnstile is designed to provide higher level of security for locations requiring strict access control. It is produced in dimensions and design that will completely prevent the banned accesses.

#### Application

T 1400 can be installed in the entrance of construction sites, factories, stadiums, ministries, prisons, campuses, sports fields and any locations outdoor or indoors.

#### Basic Materials

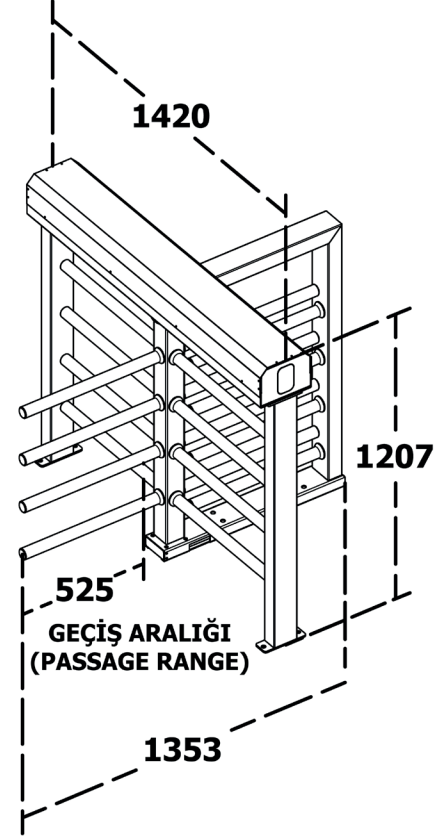
T 1400 Semi-fullheight turnstile is produced as 304 stainless steel as standard. Some critical parts in the turnstile mechanism of T 1400 is produced with special investment casting technology , which makes the whole system a lot more robust and lasting. The electronic boards are designed by the qualified engineers of Makim, enabling T 1400 work in various modes and integrations.

#### General Usage

T 1400 is manufactured in single version. It is produced with 4 arms 90 ° intervals. T 1400 turnstile operates bi-directionally. All kind of access control system like card reader, biometric reader, remote control unit or push button can be integrated to T 1400 via simple dry-contact. Once the access right is granted, user should touch slightly to T 1400 arm in order to make it rotate. After the arms complete one turn, T 1400 is automatically locked. If the user does not use the passage right in 15 seconds, T 1400 will give buzzer warning and it will be locked. Status indicator LED lights are located on both sides of T 1400, in green arrow and red cross shape to show allowed passage directions. More than 30 passes can be made from the turnstile in 1 minute.

#### Safety

In case of power cut, T 1400 is unlocked to allow free rotation of the arms in both sides enabling easy evacuation of the area and preventing getting stuck inside the gate. Alternatively, in case of using the battery, the tourniquet will continue operating in the standard set mode when the power is cut off.



Control /Operation Voltage	100-230 VAC 50/60 Hz
Power Consumption	30 W
Operation Temperature	- 20° C - + 70° C With Optional Heater - 30° C
Passage Speed	30 P / Min.
Passage Range	Max. 525 mm
Weight	Ask your representative
Usage Area	Indoor / Outdoor
Optional Accessories	Remote control, button unit, card reader,biometric reader, counter.
Body Options	Stainless Steel / Powder Coated
Protection	IP65
Security Level	●●●●○